



Technical data sheet

EOS EmoTec IR

Control unit for infrared cabins with 3 outputs and dimming function

Premium class electronic control unit for IR cabins with 3 separate outputs and dimming function. For private and commercial use.

Your advantages and benefits:

- Compact slim size display panel (flush- / surface-mounting)
- Comfortable, simple operation thanks to the colour TFT display with menu navigation in 19 languages
- 3 separate outputs (2 x dimmable, 1 x switchable)
- Suitable for all IR emitters (ceramic, metal tube, quartz, foils)
- 5 individually programmable channels (e.g. front, back, side)
- Large scope of premium class functions and extensions
- Made in Germany quality by EOS

Features:

| | |
|--------------------------|---|
| Control panel: | plastic, anthracite or white, flush- or surface-mounting, inc. 5 m cable. |
| Main relay box: | plastic, wall-mounting |
| Display: | Colour TFT display |
| Temperature control: | digital, as per air temperature or as per heating intensity |
| Control range: | 30 - 70 °C |
| Heating zones (outputs): | 2 dimmable, 1 switchable |
| Virtual channels: | Up to 5 with individual symbols |
| Heating time: | 6 h / 12 h / unlimited |
| Power output: | max. 3500 W |
| Power supply: | 230 V 1N AC 50 Hz |
| Outputs / Inputs: | Output for cabin light (dimmable), Potential-free output (PFC), 2 x S-Bus jack for display and modules, Micro SD card slot (for updates). |



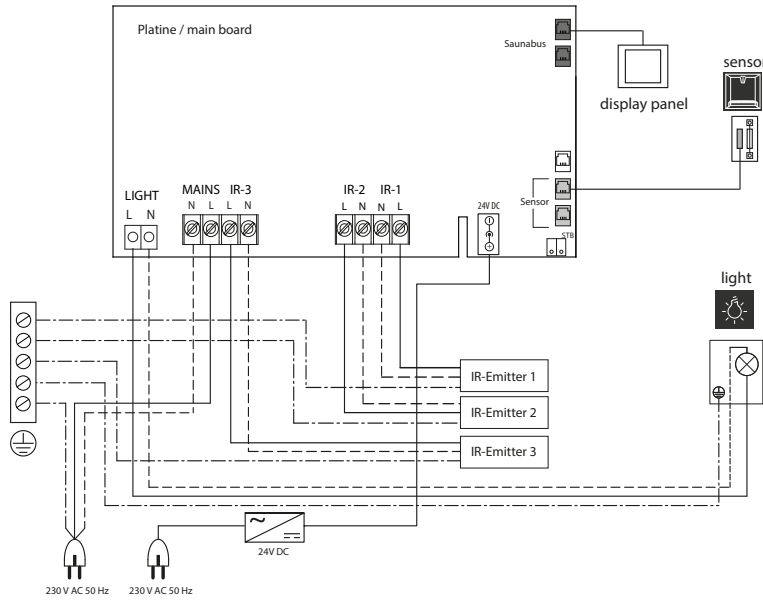
Display panel
Flush- or surface-mounting installation.
Anthracite or white design.



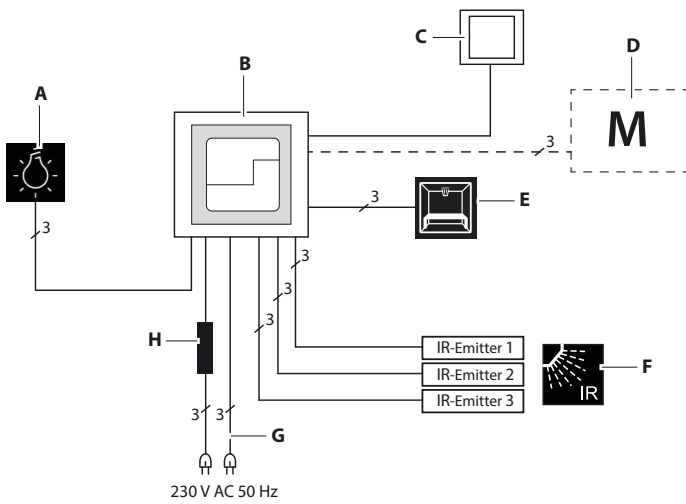
Included in delivery:
Power adapter 230 V and temperature sensor with 5 m cable.

CE EAC IPx4 MADE IN GERMANY 

Connection diagram

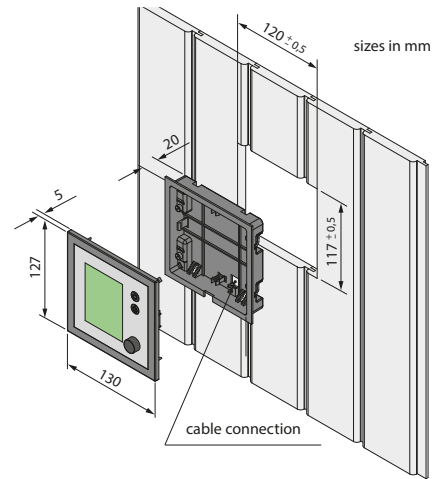


Connection overview

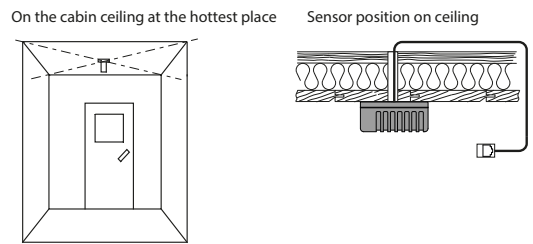


- A cabin light
- B relay box
- C display panel
- D extension modules (optional)
- E temperature sensor
- F IR emitters
- G power supply line
- H power adaptor 230 V

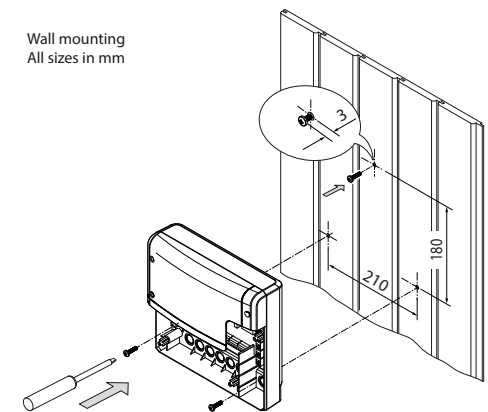
Display panel installation



Sensor installation



Relay box installation



| Item no. | Electrical connection | Power output | Max. load for outputs | Temperature control range | Heating time | Dimension H/W/D in mm | Ambient temperature during operation | Weight w/out packaging |
|-----------------------|-----------------------|--------------|---|---------------------------|---------------------------|---------------------------------|--------------------------------------|------------------------|
| 94.7044 anthracite | 230 V 1N AC 50Hz | 3.500 W | IR-1: 1.500 W IR-2: 1.500 W IR-3: 500 W | 30 - 70 °C | 6 h / 12 h / unlimited | 130 x 118 x 23 control panel | -10 bis +40 °C control panel | 1,5 kg |
| 94.7045 white | 16 A | | | | | 240 x 230 x 70 relay box | -10 bis +40 °C relay box | |